



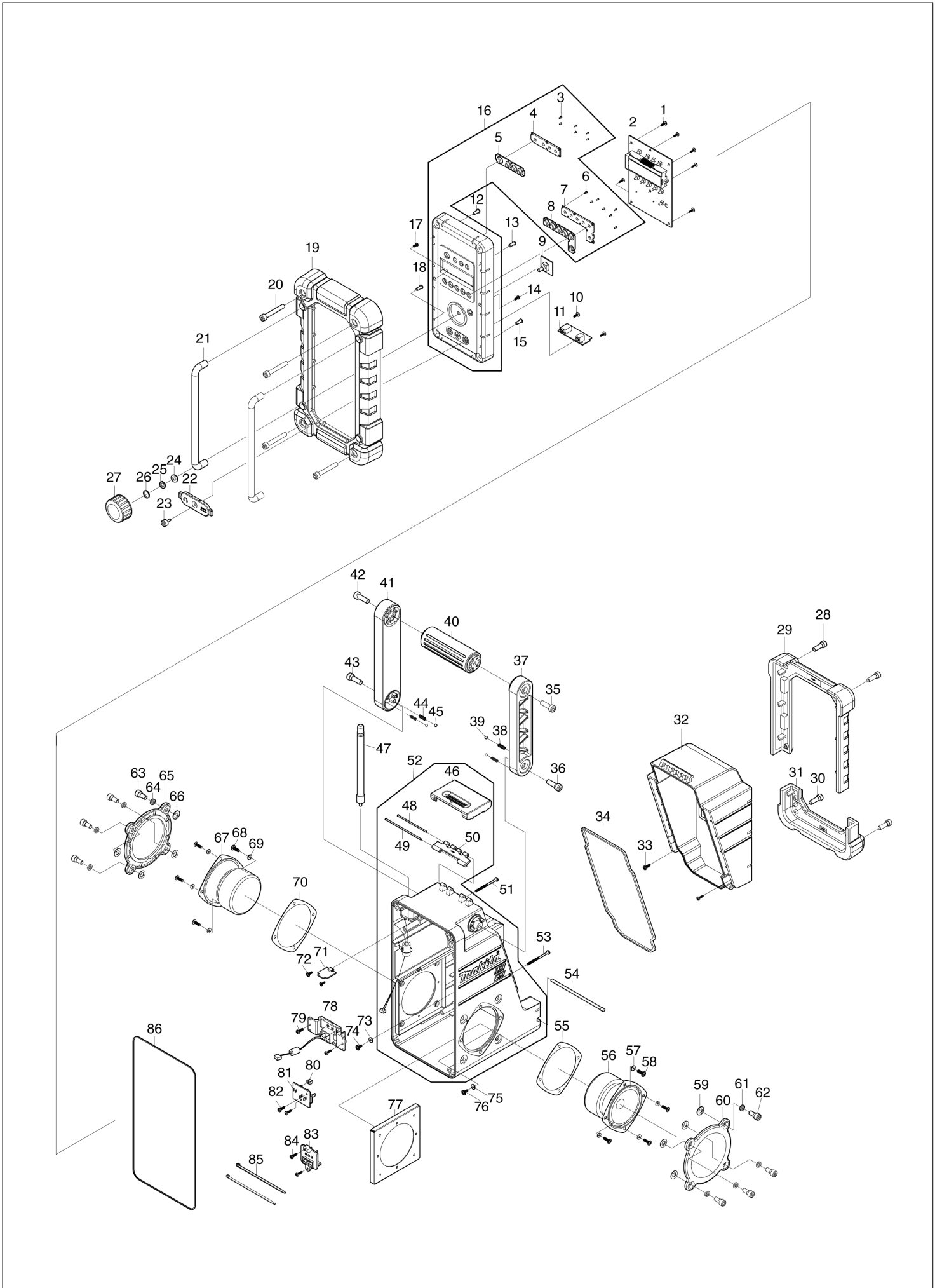
SE	SWEDEN
----	--------

Diagram / Parts List

DMR110N

JOB SITE RADIO

(SE) DMR110N / JOB SITE RADIO



SE

SWEDEN

DMR110N / JOB SITE RADIO

Item	Sub	Parts No.	Parts Description	Qty	I/C	E/C No.	Close No.	Remark
001		SE00000325	SCREW PTB 3X8(NI)	6				
002		SE00001087	PCB A ASS'Y	1				
003		SE09090011	SCREW 1.7	6				
004		SE020PC020	POWER BUTTON HOLDER	1				
005		SE00000274	POWER BUTTON	1				
006		SE09090011	SCREW 1.7	7				
007		SE020PC030	PRESET BUTTON HOLDER	1				
008		SE00000275	PRESET BUTTON	1				
009		SE00001088	PCB P ENCODER ASS'Y	1				
010		SE00000193	SCREW 3X10	2				
011		SE00001089	PCB P DC JACK ASS'Y	1				
012		SE09064161	SCREW M4X16	1				
013		SE09064161	SCREW M4X16	1				
014		SE00000325	SCREW PTB 3X8(NI)	1				
015		SE09064161	SCREW M4X16	1				
016		SE00001090	FRONT CABINET ASS'Y	1				
	D10		INC. 3-8					
017		SE00000325	SCREW PTB 3X8(NI)	1				
018		SE09064161	SCREW M4X16	1				
019		SE00000159	FRONT BUMPER	1				
020		SE00000160	SCREW PTHE6X47(CR)	4				
021		SE0338PC5Z	FRONT BAR	2				
022		SE00000042	JACK COVER	1				
023		SE09173106	HEX SCREW M3X10	1				
024		SE00000754	EN/SW WASHER	1				
025		SE00000755	EN/SW NUT	1				
026		SE21B1110A	ROTARY KNOB RING	1				
027		SE00000465	ROTARY KNOB BLK 3102PC0000040	1				
028		SE09176166	HEX SCREW M6X16	2				
029		SE00000162	BATTERY COVER BUMPER	1				
030		SE09176166	HEX SCREW M6X16	2				
031		SE00000165	REAR BUMPER	1				
032		SE00000166	BATTERY COVER	1				
033		SE00000325	SCREW PTB 3X8(NI)	2				
034		SE00000168	PACKING	1				
035		SE00000176	SCREW PTHE6X20(CR)	1				
036		SE09176166	HEX SCREW M6X16	1				
037		SE00000177	HANDLE HOLDER(R)	1				
038		SE00000184	SPRING	2				
039		SE09994007	STEEL BALL	2				
040		SE00000179	HANDLE	1				
041		SE00000180	HANDLE HOLDER (L)	1				
042		SE00000176	SCREW PTHE6X20(CR)	1				
043		SE09176166	HEX SCREW M6X16	1				
044		SE00000184	SPRING	2				
045		SE09994007	STEEL BALL	2				
046		SE00000190	BATTERY COVER LOCKER	1				
047		SE00000284	RUBBER ANT 174-240(BLACK)	1				
048		SE021PC050	LOCKER FIXER PIN 62.8	1				
049		SE021PC040	LOCKER FIXER PIN 79.5	1				
050		SE00000067	LOCKER HINGER	1				
051		SE09163452	SCREW M3X45	1				
052		SE00001091	REAR CABINET ASS'Y(BLUE)	1				
	D10		INC. 46,48-50					
053		SE09163452	SCREW M3X45	1				
054		SE021PC030	BATTERY COVER LOCKER	1				
055		SE024J9030	PACKING	1				
056		SE00001093	SPEAKER RIGHT	1				
057		SE024J9070	PACKING	4				
058		SE09090023	SCREW M4X12	4				
059		SE024J9090	PACKING	4				
060		SE00000205	SPEAKER NET ASSY	1				
061		SE024J9040	PACKING	4				
062		SE9076146A	HEX SCREW M6X14	4				
063		SE9076146A	HEX SCREW M6X14	4				

Interchange

O : Yes

X : No

< : the new part can be substituted for the current.

> : the current part can be substituted for the new.

S : Interchangeable as a set.

